



**RECOIL<sup>®</sup>**

**RB1**

Recoil IPX7 Waterproof Bluetooth Controller

**User Manual**

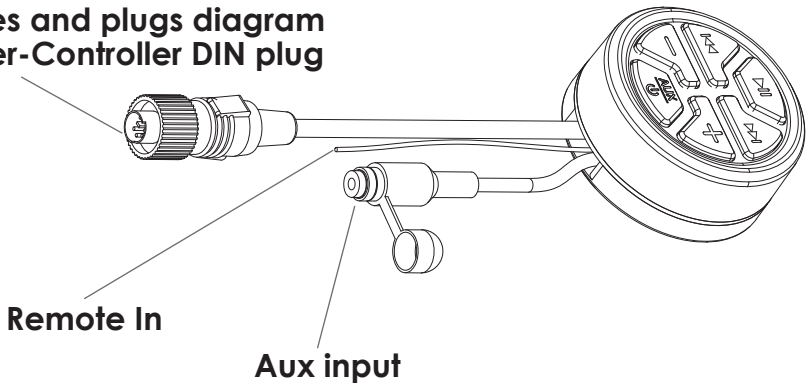
## Introduction

Thank you for choosing Recoil Bluetooth remote controller. We invested a lot of time and effort planning and designing the perfect controller for your audio system.

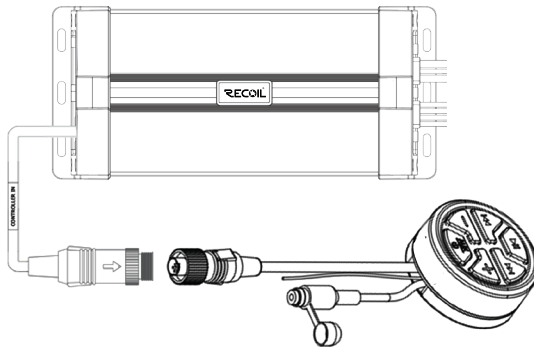
If at any given time you have any questions or concerns, please feel free to contact us at: [support@recoilaudio.com](mailto:support@recoilaudio.com)

Enjoy your ride!

### RB1 wires and plugs diagram Amplifier-Controller DIN plug



**Amplifier-Controller DIN plug** The RB1 controller has a DIN plug. This plug can be connected directly to the Recoil Powersports amplifiers. Remote power triggering: The RB1 is able to power Recoil amplifiers, whenever you turn the RB1 ON or OFF the amplifier will follow the same.



## Introduction

**Remote In - Blue Wire** (Should not be used) The remote-in is an extra feature we added to the RB1. You should NOT use this wire unless your RB1 controller is hooked up to another source unit. So, when that source unit is turned on/off, RB1 will be turned on/off also automatically.

**Aux input** - optional If you already had a peripheral music device on your bike such as satellite radio, MP3 player or GPS, you will take the audio output from that device and plug it into the female 1/8" mini plug.

\* When not in use, please keep the AUX plug sealed by keeping the protective cap closed.

## Supplied Hardware



**Dash or Flush (Rear) mountplate**



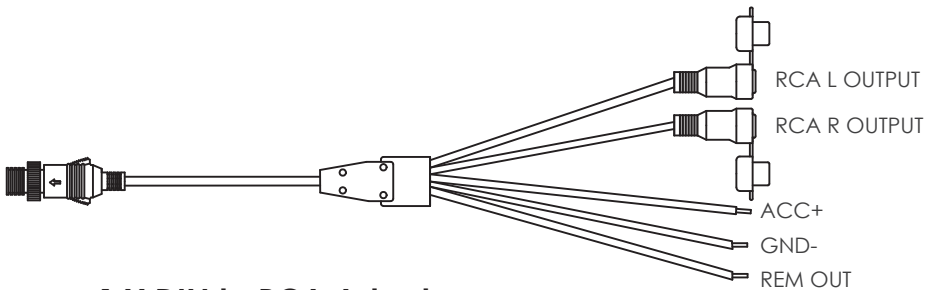
**Surface mount plate**



**SS304 Hexagon Socket Head Screw M6 X 8mm**



**2 X SS304 Cross Head Screw M4 X 8mm**



**1 X DIN to RCA Adapter**

## Setup

### Pairing Bluetooth® Device

- Go to settings on your phone and place Bluetooth® setting into "discoverable" mode.
- Search for (RB1) device.
- On phone select (RB1) to pair device.
- Once a device is paired each time this device is seen by the Recoil RB1, it will automatically reconnect to the device. If no device is present the Recoil RB1 automatically goes into pairing mode and will present itself as discoverable for the next device present.

**Please Note: Once Recoil RB1 sees power, it will always try and pair as shown by the flashing POWER BUTTON. If you do not have a paired device with you while riding, the light will continue to flash.**

### AUX Input

- Connect AUX Input with any media player(MP3 player, Smartphone, Headunit)
- Double tap AUX/Power button rapidly to switch between Bluetooth source and AUX input source.
- When Recoil RB1 is switched to AUX input source, the Green LED stays on.
- Double tap the AUX/POWER button again and the Green light will shut off, indicating the unit is now out of AUX mode. The bluetooth device can now once again be used and controlled by the key pad.
- Note: When the unit is in AUX mode, only the VOLUME of peripheral audio device can be controlled, Track Forward/Backward and Play/Pause buttons do not control anything with peripheral audio device!

### Main Key pad Controls



Press and hold the AUX/POWER button for few seconds to turn the Recoil RB1 ON. Do the same to turn it OFF. As mentioned above, double tap it to switch between Aux and Bluetooth® modes.



The play pause button allows you to pause your Bluetooth® device from playing. Press the same button again and your device will start to play.



The "track up" button allows you to "skip forward" to the next song saved on your Bluetooth® device. Pressing the "track down" button once allows you to go back to the start of the song you're currently listening to. Press it a second time and go to the start of the song on your device before the one you're listening to.





The Volume Up/Volume Down buttons will control the volume level of your Tunes, best practice: set your audio source's Volume at around 85% (on your phone, MP3 player etc) and control the volume using the RB1 controller.

## Bluetooth trouble Shooting Guide

- Make sure volume is up on Bluetooth sources
- Confirm Pairing if no sound.

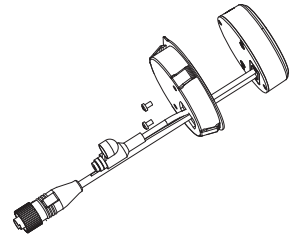
## Mounting

The RB1 controller has 2 mounting options:

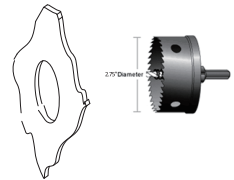
1. Dash or Flush (Rear) mount
2. Surface mount

**Dash or Flush (Rear) mount:** This method will allow the controller to sit flush to the mounting surface. This requires a perfectly flat surface and ideally should have access to the rear of the mounting plate.

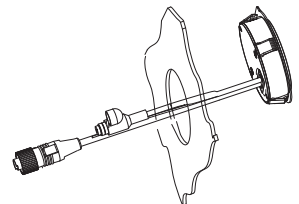
STEP 1: Slide the RB1 cables through the Flush mount plate and screw the plate to the back of the RB1, using the 2 M4 cross head screw.



STEP 2: Using a 2.75" (70mm) hole saw, drill a hole in your selected location. \*Ensure you have at least 1 inch of clearance on the back side of your selected mounting location.



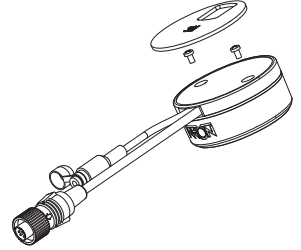
STEP 3: Slide the RB1 through the hole.



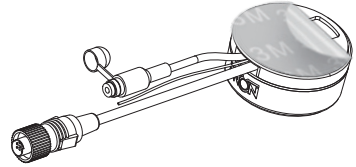
## Mounting

**Surface mount:** This method will allow you to mount the RB1 on any perfectly flat surface. Using this method will not require any cutting or drilling of the surface.

STEP 1: Place the RB1 cables in the rail found on the inner side of the surface mount plate, and screw the plate to the back of the RB1, using the 2 M4 cross head screw. Then stick the 3M Sticker on the back of the surface mount plate.



STEP2: Peel off the 3M sticker's cover



STEP3: Place the RB1 on a perfectly flat surface.

